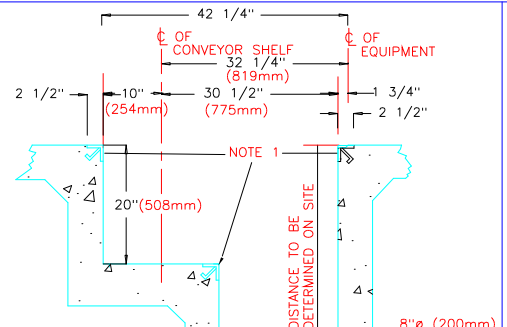
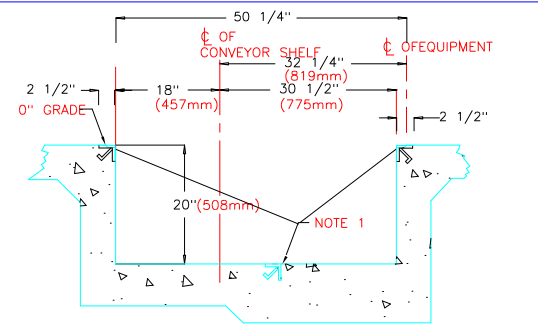
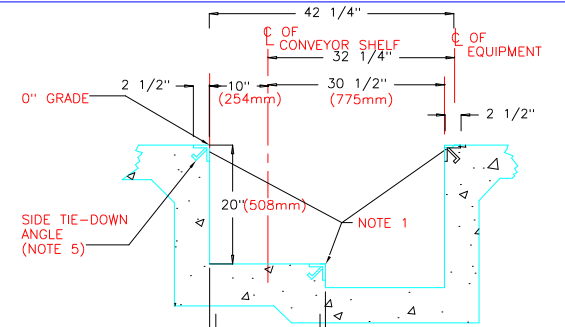
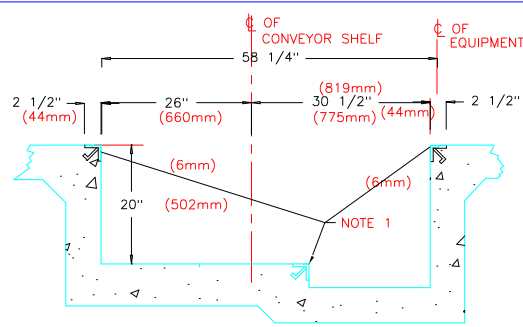


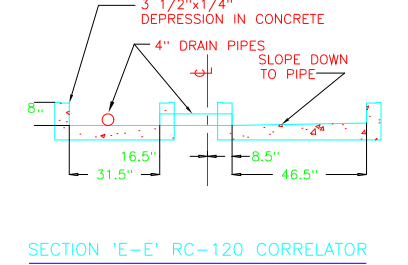
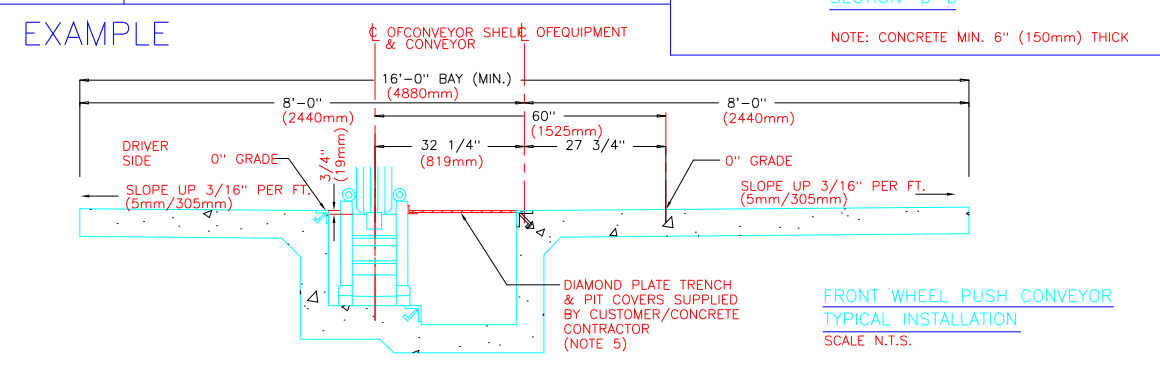
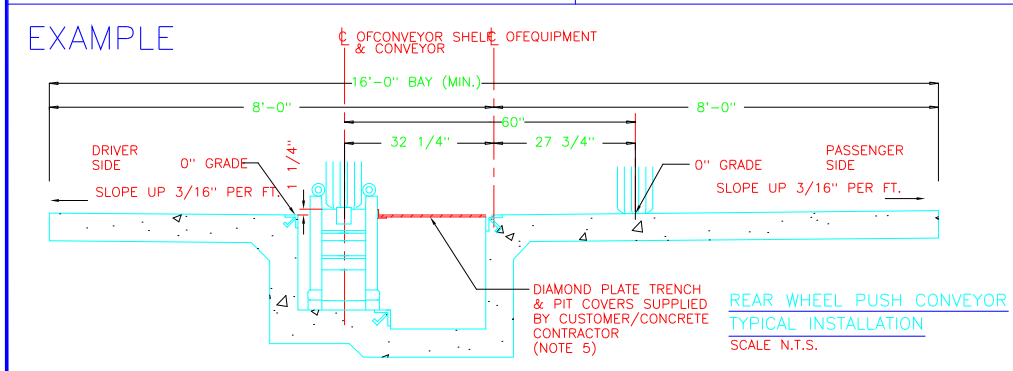
REVISED
 10-10-01



- NOTES:**
- WRAP ENTIRE PERIMETER (TOP OF) CONVEYOR PIT IN 2 1/2" X 2 1/2" X 1/4" ANGLE IRON. OTHER PLACES AS SHOWN.
 - SLOPE FLOOR UP 3/8" (9mm) PER 10'-0" (3048mm) FROM ENTRANCE EDGE OF CORRELATOR PIT TO EXIT OF CONVEYOR PIT.
 - ALL CONCRETE TO BE A MINIMUM OF 6" (150MM) THICK.
 - FINISH FLOOR TO HAVE ROUGH TEXTURE, i.e. BROOM FINISH CONCRETE SO THAT BROOM LINES RUN PERPENDICULAR TO CONVEYOR TRENCH. (MUST HAVE NON-SKID SURFACE)
 - TIE-DOWN ANGLES AND COVER SUPPORTS ARE AVAILABLE FROM MAC NEIL WASH SYSTEMS. ALL OTHER MATERIALS REQUIRED, SUCH AS DIAMOND PLATE TRENCH AND PIT COVERS, DRAINS, CHASEWAYS, PLASTIC SLEEVES AND CONDUIT ARE THE RESPONSIBILITY OF THE CUSTOMER/CONCRETE CONTRACTOR. SEE NOTE 1.
 - 12" WIDE X 12" DEEP TRENCH TO BE LOCATED AS SHOWN ON EQUIPMENT LAYOUT FOR DRIVE SHAFT CAN BE ON EITHER SIDE OF PIT DEPENDING ON LOCATION OF SEDIMENT PIT, WATER RECLAIM PIT, OR SEWER.

THE PLAN BEARING THIS LEGEND AND THE ACCOMPANYING SPECIFICATIONS HAVE BEEN PREPARED BY MACNEIL WASH SYSTEMS LTD. FOR THE PARTY WHOSE NAME APPEARS IN THE TITLE BOX IN CONNECTION WITH THE PROPOSED ERECTION OF AN AUTOMATIC CAR WASH AT THE LOCATION SHOWN THEREON. SAME ARE THE EXCLUSIVE PROPERTY OF MACNEIL WASH SYSTEMS LTD. AND ARE SUBJECT TO RETURN UPON DEMAND, BY THE ACCEPTANCE HEREOF. THE PROSPECTIVE CUSTOMER THEREBY AGREES NOT TO DIVULGE, USE OR COPY THE SAME WITHOUT THE WRITTEN CONSENT OF MACNEIL WASH SYSTEMS LTD. THE INFORMATION CONTAINED HEREIN IS SUBMITTED IN GOOD FAITH AS AN ASSISTANCE IN LAYING OUT THE CAR WASH. WE WILL NOT BE RESPONSIBLE FOR ERRORS OR OMISSIONS HEREIN, NOR LEGAL CODE OF UNDERWRITING REQUIREMENTS.

No.	By	Description	Date
9			
8			
7			
6	MJ	REVISED DIMENSIONS	10-10-01
5	MJ	ADDED REAR PUSH EXAMPLE	10-4-01
4	MJ	MODIFIED NOTE 1 ETC.	6-15-01
3	R.F.	ADDED METRIC DIMENSIONS	JAN. 24/96
2	R.F.	- LOCATION OF TIE DOWN PADS	AUG. 23/95
1	R.F.	- DIMENSION CHANGE TO SHELF WIDTH. - ADDRESS CHANGE	JUNE 13/95



MAGNEIL WASH SYSTEMS LIMITED
 90 WELHAM ROAD, BARRIE, ONTARIO, L4M 6E7 CANADA
 PRODUCT: RG-440 CONVEYOR CONCRETE DETAIL AS MODIFIED PER PRESSURE SERVICES

PART DESC: FRONT WHEEL OR REAR WHEEL PUSH

SCALE: AS NOTED MAT'L: DRAWING REVISION: 3
 DATE: JAN. 1995 DRAWING NUMBER:
 DRAWN BY: R.R.F. CHK'D BY: V.M. **RG440-1**